

show some separation with grid

No valve here

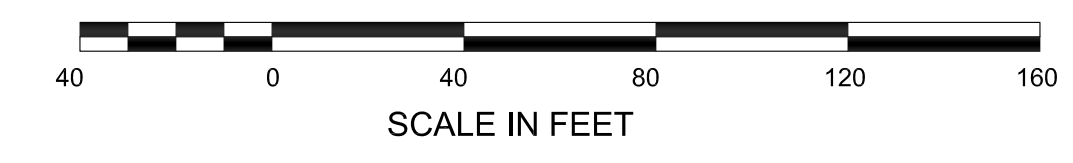
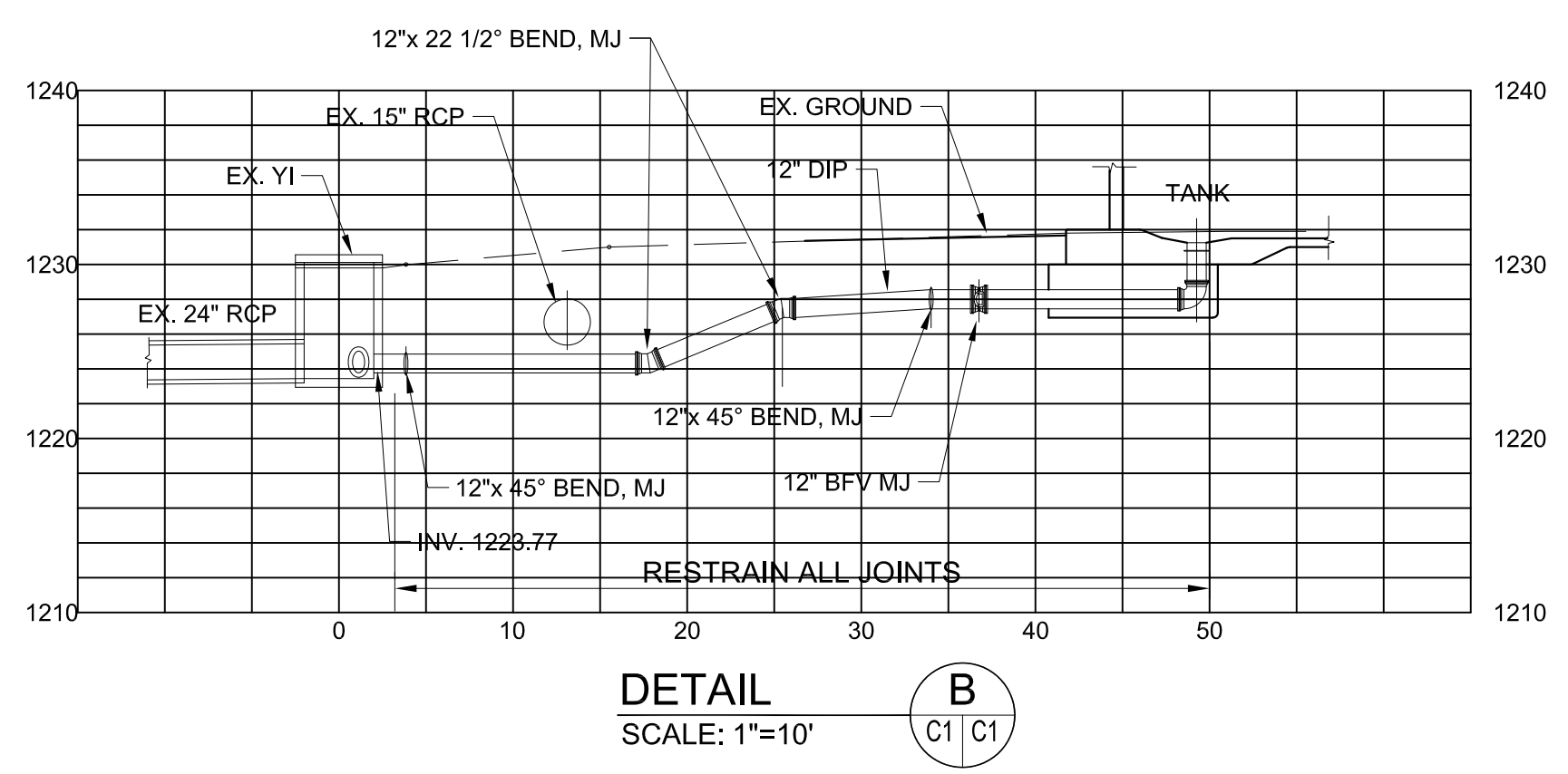
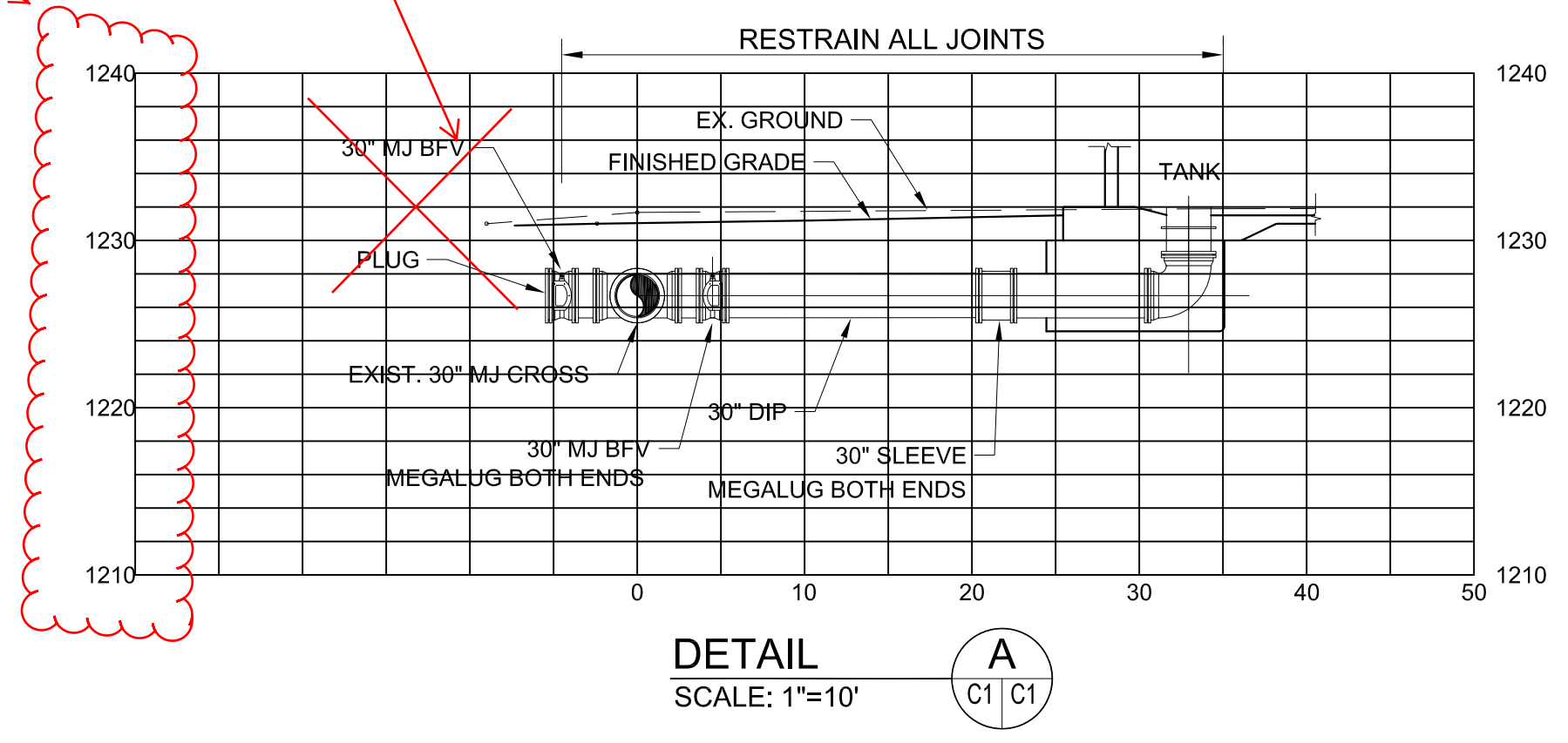
LTSCALE?

CCMWA has decided against valve here (10/7 email)

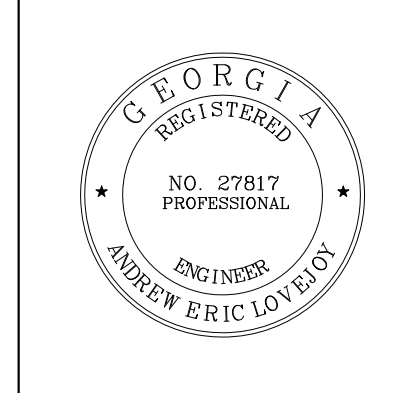
Sheet No. ?

LTSCALE

Show pipe to 10-foot outside fence



CEC
CIVIL ENGINEERING CONSULTANTS, INC.
Civil & Environmental Engineering
4994 Lower Roswell Road, Suite 17
Marietta, GA 30068
(770) 977-5747
www.cecincga.com



DATE	REVISION

COBB COUNTY-MARIETTA WATER AUTHORITY
LOST MOUNTAIN WATER STORAGE TANK NO. 2
OVERALL SITE PLAN
DATE: AUGUST 1, 2014
SHEET C2